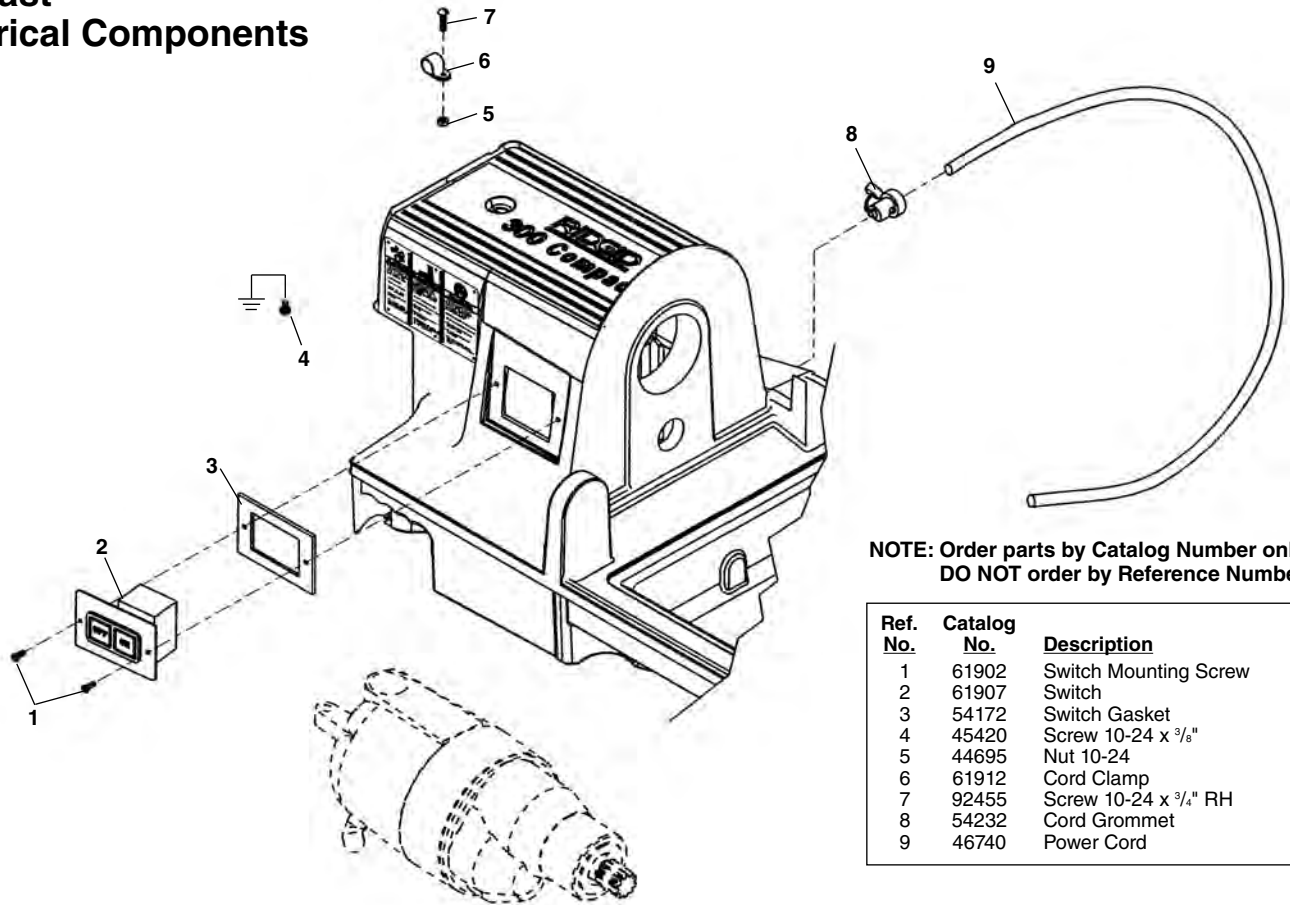


### Far East Electrical Components

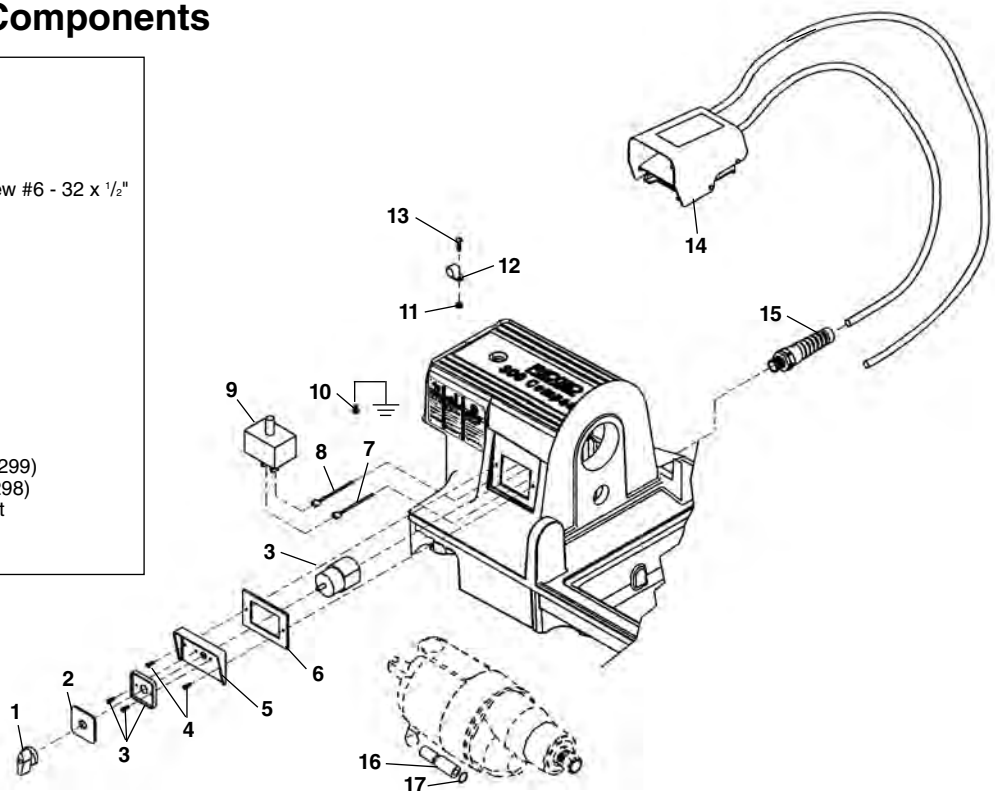


**NOTE: Order parts by Catalog Number only. DO NOT order by Reference Number.**

Ref. No.	Catalog No.	Description
1	61902	Switch Mounting Screw
2	61907	Switch
3	54172	Switch Gasket
4	45420	Screw 10-24 x 3/8"
5	44695	Nut 10-24
6	61912	Cord Clamp
7	92455	Screw 10-24 x 3/4" RH
8	54232	Cord Grommet
9	46740	Power Cord

### European Electrical Components

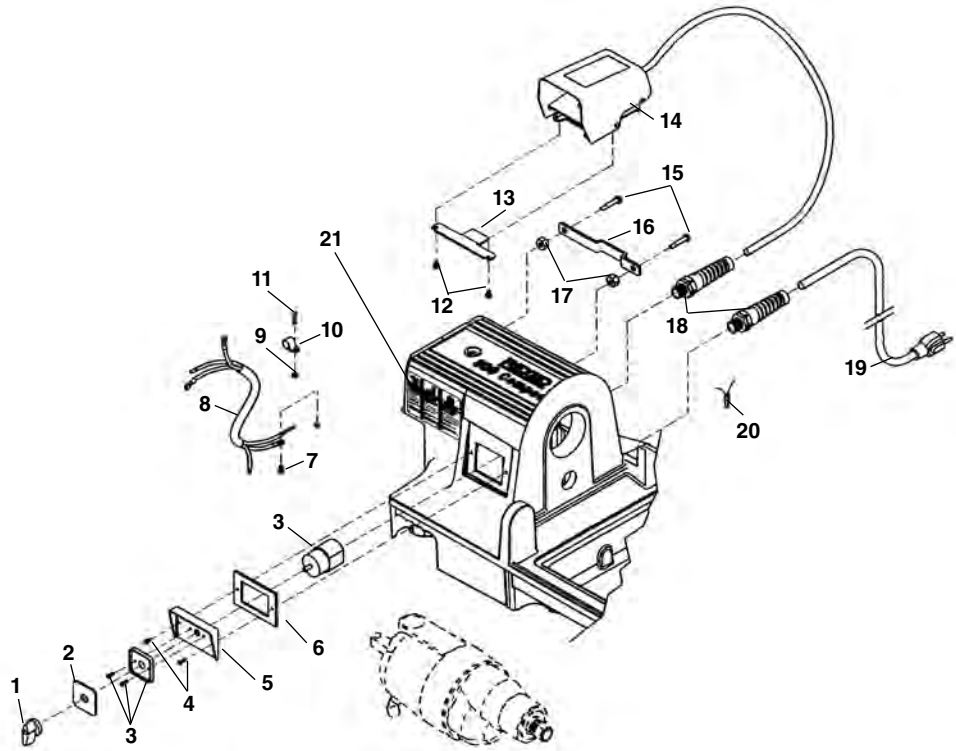
Ref. No.	Catalog No.	Description
1	61397	Switch Knob
2	54167	Switch Face Plate
3	54157	Switch & Screws
4	61902	Slotted Pan Head Screw #6 - 32 x 1/2"
5	61917	Switch Plate
6	54172	Switch Gasket
7	63387	Brown Wire
8	63392	Blue Wire
9	63372	Suppressor
—	63387	Brown Lead Wire
—	63392	Blue Lead Wire
10	45420	Screw 10-24 x 3/8"
11	44695	Nut 10-24
12	61912	Cord Clamp
13	92455	Screw 10-24 x 3/4" RH
14	36652	Foot Switch (B-296)
—	40022	Foot Switch f/Aust. (B-299)
—	40017	Foot Switch f/U.K. (B-298)
15	46730	Strain Relief w/Locknut
16	63377	Ferrite Bead
17	43552	Cable Tie



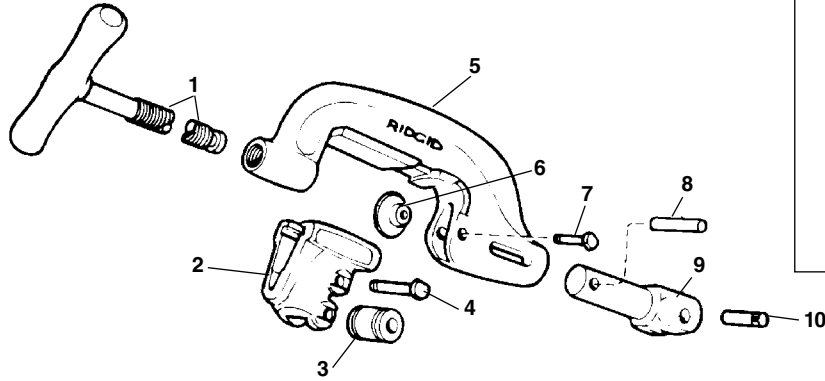
## 120V 60Hz Electrical

**NOTE: Order parts by Catalog Number only.  
DO NOT order by Reference Number.**

Ref. No.	Catalog No.	Description
1	61397	Switch Knob
2	61967	Switch Face Plate
3	54157	Switch Assembly
4	54162	Screw (2)
5	61917	Switch Plate
6	54172	Gasket
7	45420	Screw #10 - 24 x 3/8"
8	30953	Connecting Cord
9	44695	Hex Nut #10 - 24
10	61912	Cord Retainer
11	92455	Screw #10 - 24 x 3/4"
12	54357	Screw 5/16" - 18 (2)
13	58602	Foot Switch Hook
14	36642	B-294 Foot Switch
15	54137	Screw (2)
16	58267	Foot Switch Hanger Bracket
17	96730	Hex Nut 5/16" - 18
18	72107	Strain Relief
19	46740	Power Cord
20	44635	End Splice Connector
21	78367	Warning Plate



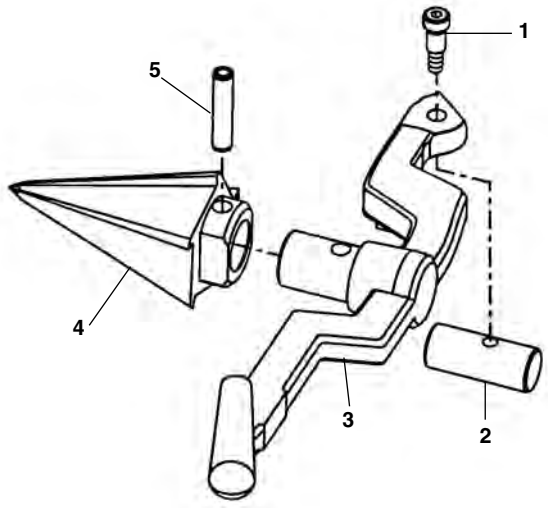
## No. 360 Cutter



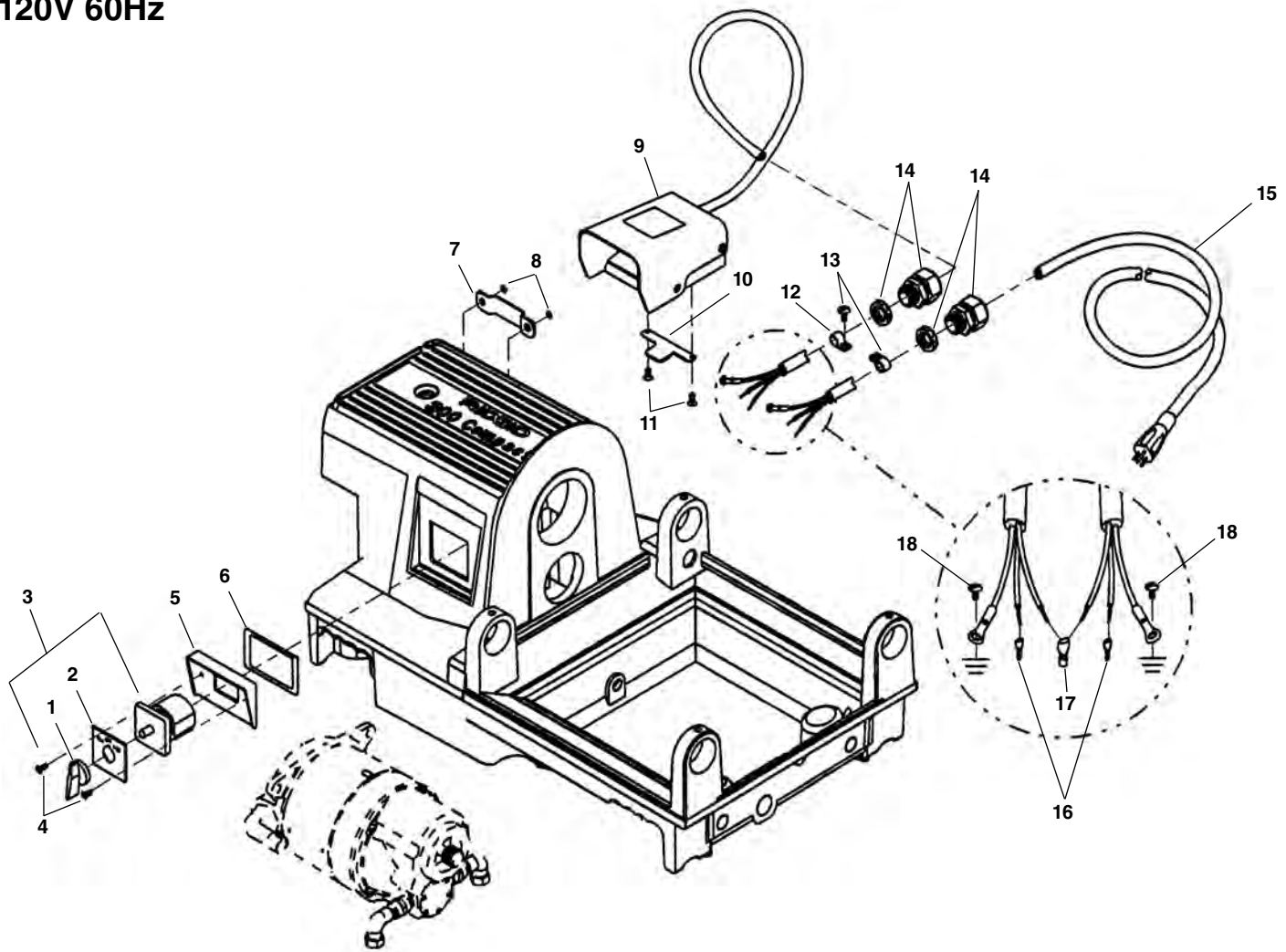
Ref. No.	Catalog No.	Description
—	42370	360 Cutter Complete
1	43625	D-1024-X Screw Handle
2	33400	C-878-X Roll Housing Assembly
3	34305	E-1751 Roll (2)
4	34310	E-1752 Roll Pin (2)
5	43595	C-877 Cutter Frame
6	33100	F-514 Cutter Wheel Thin
	33105	F-3 Cutter Wheel H.D.
	44185	E-1032 Cutter Wheel Std.
7	34780	F-9 Wheel Pin
8	45435	E-3549 Retaining Pin
9	45505	E-3759 Support Arm
10	45520	E-3819 Pin

## No. 344 Reamer

Ref. No.	Catalog No.	Description
—	34612	344 Reamer Complete
1	36262	Shoulder Screw
2	36267	Pivot Pin
3	36272	Reamer Arm
4	36277	Reamer Cone
5	35355	Split Roll Pin



**52 RPM Electrical  
120V 60Hz**



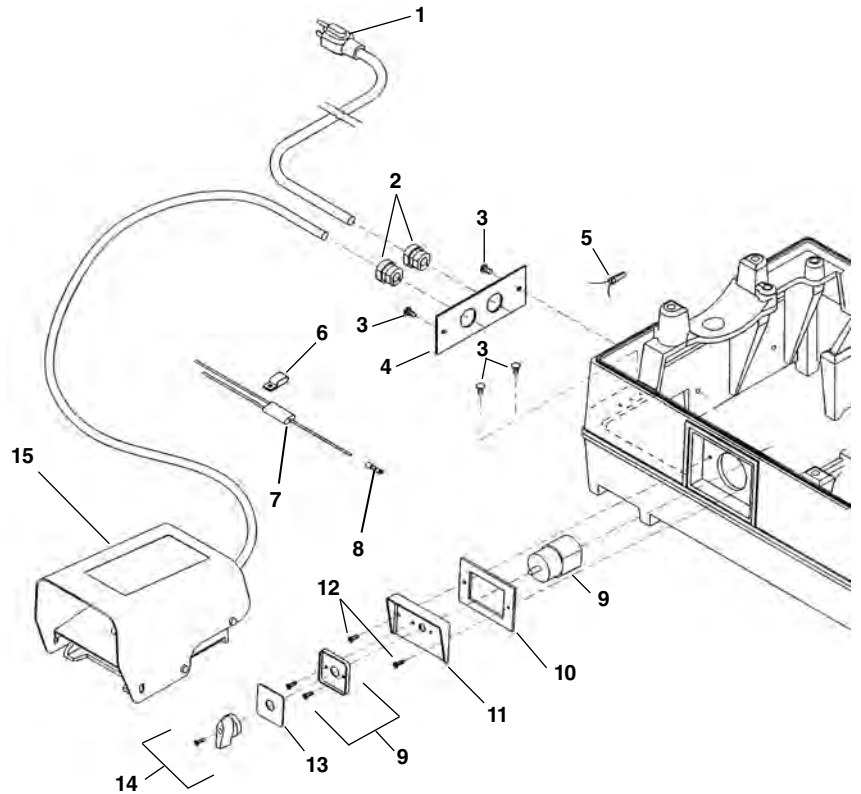
**NOTE: Order parts by Catalog Number only.  
DO NOT order by Reference Number.**

Ref. No.	Catalog No.	Description	Ref. No.	Catalog No.	Description
1	61397	Switch Knob	10	58602	Foot Switch Hook
2	61967	Switch Face Plate	11	54357	Screw $\frac{5}{16}$ " - 18 (2)
3	54157	Switch Assembly	12	75937	Cable Clamp (2)
4	54162	Screw (2)	13	92455	Screw #10-24 x $\frac{3}{4}$ "
5	61917	Switch Plate	14	75952	Strain Relief with Nut
6	54172	Gasket	15	75902	Power Cord
7	58267	Foot Switch Hanger Bracket	16	76347	Wire Terminals (6)
8	54137	Screw (2)	17	44635	Wire End Splice
9	74272	B294 HD Foot Switch	18	45420	Grand Screw #10-24 x $\frac{3}{8}$ " (2)

## Electrical Components

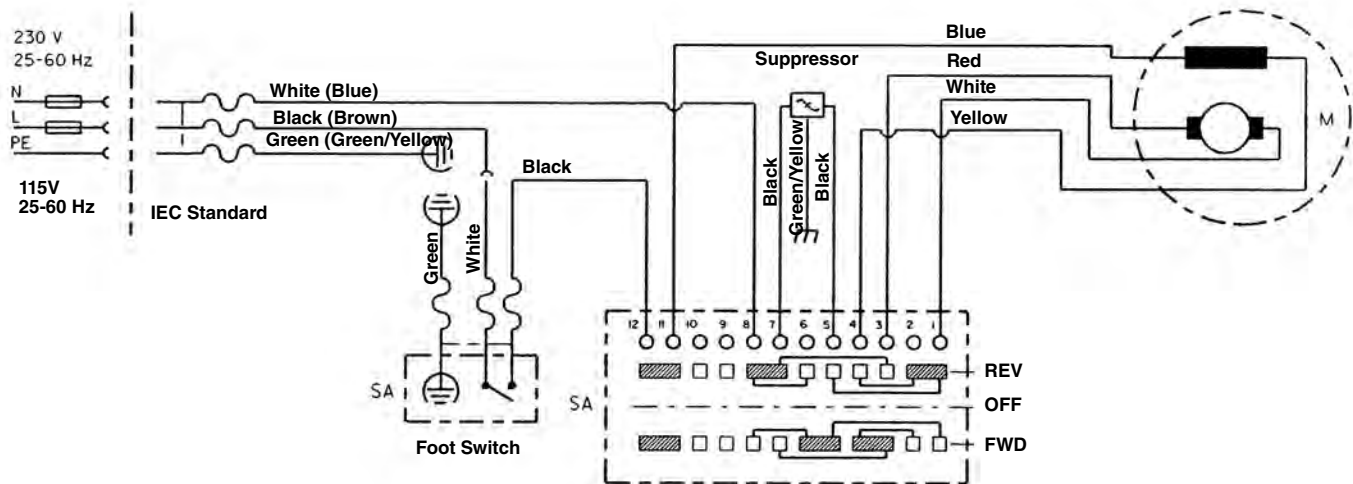
**NOTE: Order parts by Catalog Number only.  
DO NOT order by Reference Number.**

Ref. No.	Catalog No.	Description
1	46740	Power Cord 115V
—	46410	Power Cord 230V
—	75045	Power Cord 230V Export
2	46735	Grommet (2)
3	45420	Screw (4)
4	62037	Cord Mounting Plate
5	44635	End Splice Connector
6	61962	Clamp (230V)
7	36502	Suppressor (230V)
8	54192	Connector (230V)
9	20138	Switch Assy. (Includes Ref. No. 14)
10	54172	Gasket
11	61917	Switch Plate
12	54162	Screw (2)
13	61967	Switch Face Plate
14	61397	Switch Knob
15	36642	B-294 Foot Switch Assembly

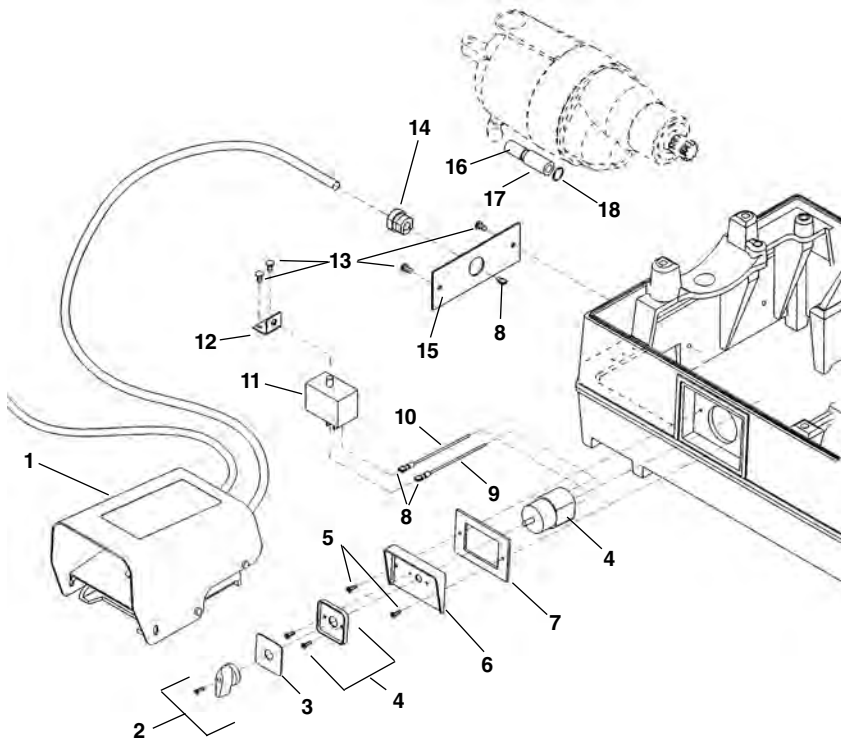


## Wiring Diagram

- 1194 Motor (115V)**
- 2394 Motor (230V)**
- 1194A Motor (115V)**



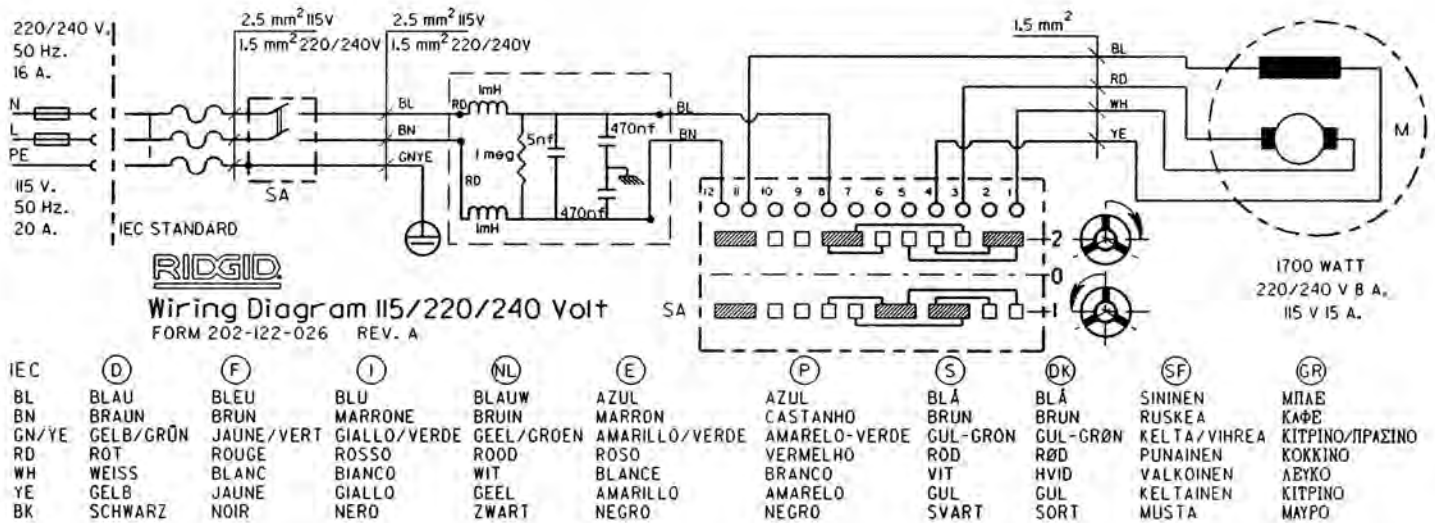
### European Electrical Components



**NOTE: Order parts by Catalog Number only. DO NOT order by Reference Number.**

Ref. No.	Catalog No.	Description
1	36652	B-296 Foot Switch
2	61397	Switch Knob
3	57517	Switch Face Plate
4	54157	Switch Assy. (includes Ref. No. 2)
5	54162	Screw (2)
6	61917	Switch Plate
7	54172	Gasket
8	89190	Quick Disconnect Terminal (4)
9	63392	Blue Wire
10	63387	Brown Wire
11	63372	Suppressor
12	61987	Mounting Bracket
13	45420	Screw (4)
14	54177	Grommet
15	62042	Cord Mounting Plate
16	64462	PVC Tubing
17	63377	Ferrite Bead
18	64467	Cable Tie

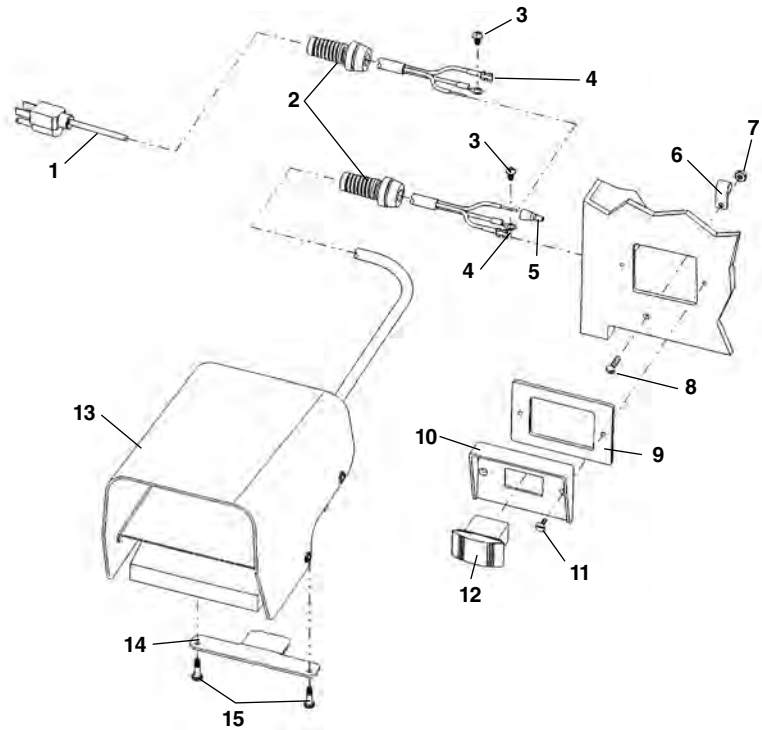
### European Wiring Diagram



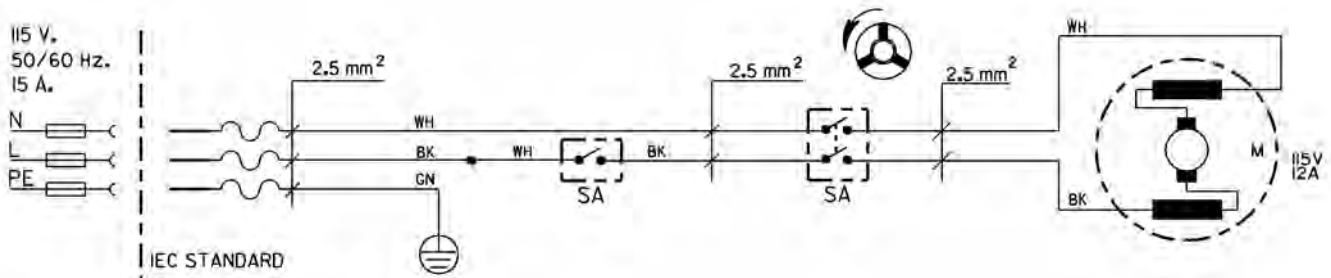
### Electrical Components – 115V/60Hz

**NOTE: Order parts by Catalog Number only.  
DO NOT order by Reference Number.**

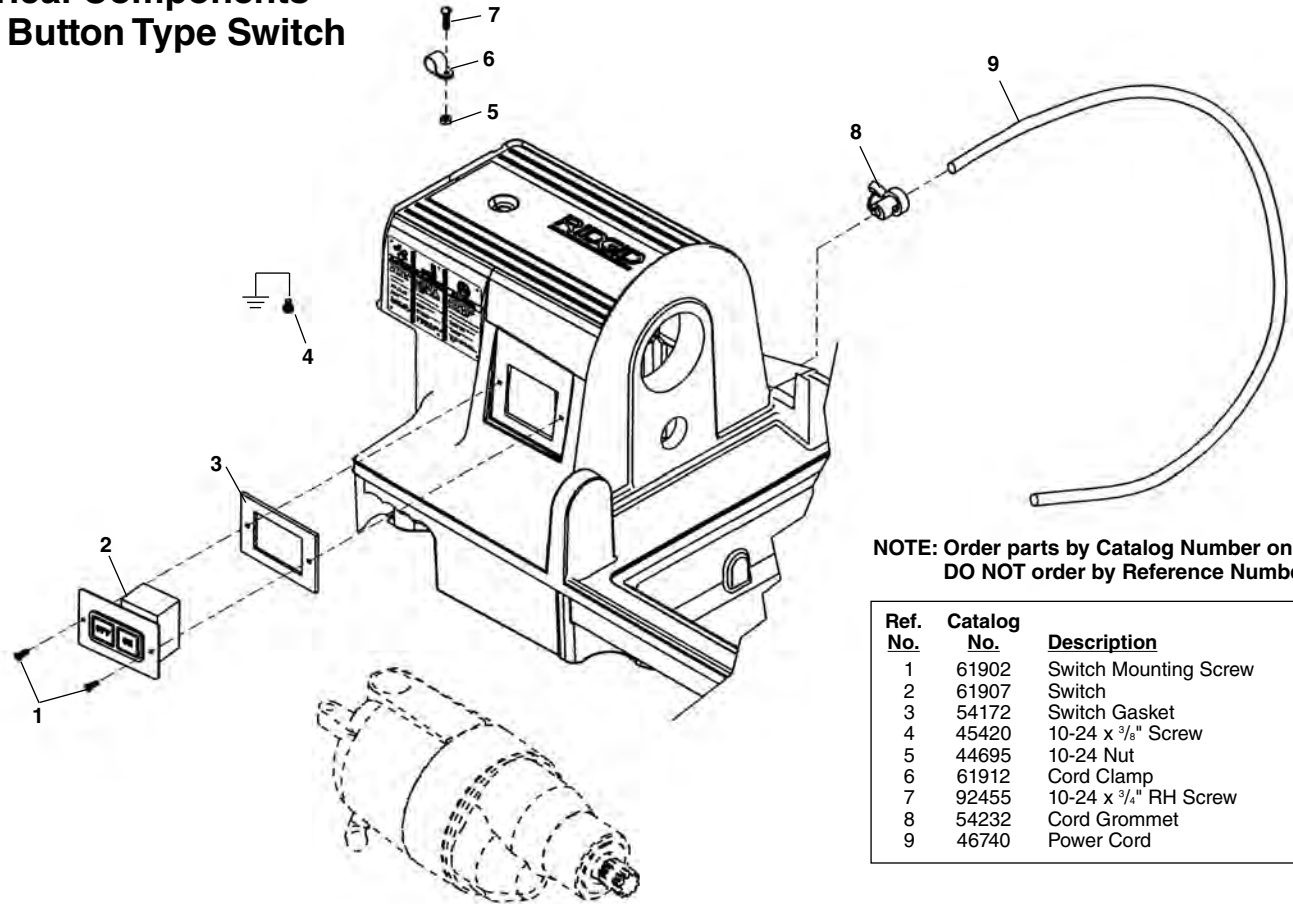
Ref. No.	Catalog No.	Description
1	46740	Power Cord
2	29788	Strain Relief (2)
3	45420	Ground Screw (2)
4	58587	Quick Disconnect (2)
5	44635	Wire Nut
6	54222	Cable Clamp (2)
7	44695	Hex Nut #10-24
8	92455	Screw #10-24 x 3/4" Round Head
9	54172	Switch Gasket
10	74412	Switch Plate
11	54162	Screw 6-32 x 2" Flat Head (2)
12	58597	Switch
13	36642	B-294 Foot Switch
14	58602	Foot Switch Hanger Bracket
15	54357	Screw



### Wiring Diagram – 115V



### Electrical Components Push Button Type Switch



**NOTE: Order parts by Catalog Number only.  
DO NOT order by Reference Number.**

Ref. No.	Catalog No.	Description
1	61902	Switch Mounting Screw
2	61907	Switch
3	54172	Switch Gasket
4	45420	10-24 x 3/8" Screw
5	44695	10-24 Nut
6	61912	Cord Clamp
7	92455	10-24 x 3/4" RH Screw
8	54232	Cord Grommet
9	46740	Power Cord

### Lever Type Switch

Ref. No.	Catalog No.	Description
1	61397	Switch Knob
2	61967	Switch Face Plate
3	54157	Switch & Screws
4	61902	Slotted Pan Head Screw #6 - 32 x 1/2"
5	61917	Switch Plate
6	54172	Switch Gasket
7	63387	Brown Wire
8	63392	Blue Wire
9	63372	Suppressor
—	63387	Brown Lead Wire
—	63392	Blue Lead Wire
10	45420	10-24 x 3/8" Screw
11	44695	10-24 Nut
12	61912	Cord Clamp
13	92455	10-24 x 3/4" RH Screw
14	36652	Foot Switch (B-296)
	40022	Foot Switch f/Aust. (B-299)
	40017	Foot Switch f/U.K. (B-298)
15	54177	Strain Relief w/Locknut
16	63377	Ferrite Bead
17	43552	Cable Tie

